

AL-KO CABLE WINCHES

STRONG HELPERS FOR BUSINESS AND LEISURE



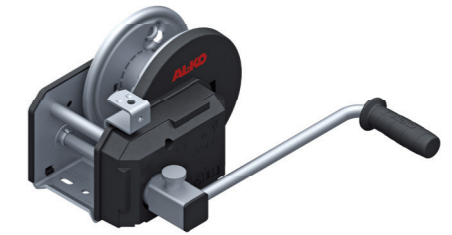
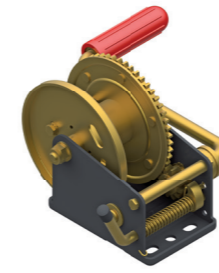
PRODUCT LINES / DIFFERENCES / RANGES OF APPLICATION

AL-KO CABLE WINCHES DESIGN UND UTILITY FOR DEMANDING REQUIREMENTS

For 35 years AL-KO cable winches have been proving themselves to be effective helpers in the industrial and leisure sectors. Experiences from over 1.5 million parts sold speak for themselves. The console mounted winches, made of steel with gear drive and plastic cover, are robust and reliable. Smart details such as the weight brake, the automatic unwinder or the removable crank make operation easier and protect the loads to be moved. The unusual design and high quality corrosion protection guarantee comfort, even for long-term usage.

You can choose between the product lines of BASIC for normal usage, e.g. in the leisure sector or the product line OPTIMA "made in Austria" for higher demands e.g. in the industrial sector.

AL-KO cable winches fulfil the requirements of the EG Norm EN 13157, the CE Directive and the Machine Directive

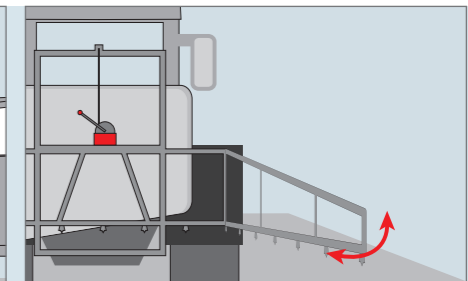
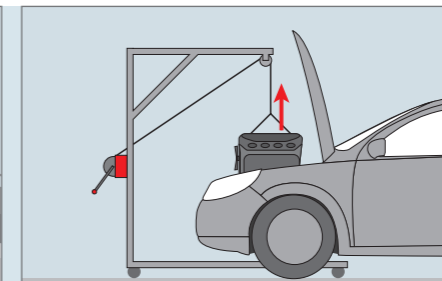
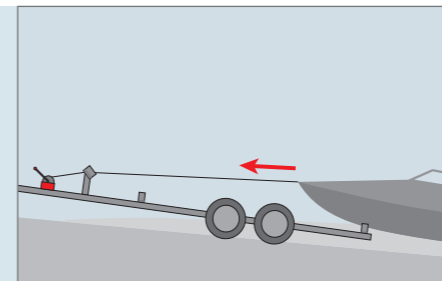
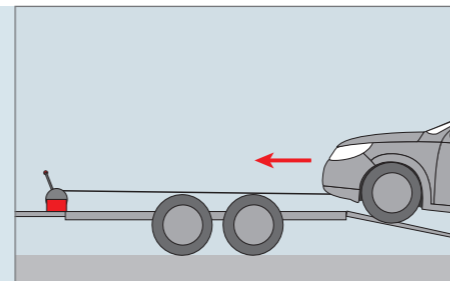


	Towing winch unbraked BASIC	Cable winch braked BASIC	Cable winch braked OPTIMA
Range of applications Warning! The buyer of the cable winch must check whether the product has the properties that their individual usage requires.			
Usage examples			
Trailer sector: e.g. transport of boats or cars, inclined lifts or floodlights	No, only for towing of a non rolling load	Yes	Yes
Agricultural sector: e.g. sprayers, slurry pumps	No, only for towing of a non rolling load	Yes	Yes
In-house transport sector: e.g. hand winch lift trucks	No, only for towing of a non rolling load	Yes	Yes
Private usage: e.g. pulling trailers against the wall	No, only for towing of a non rolling load	Yes	Yes
Special fields of application: Construction hoists, stages, Studios, liftable suspended access equipment	Not suitable This area has additional requirements	Not suitable This area has additional requirements	Not suitable This area has additional requirements
BG inspection available (DGUV test)	No	No	Yes
Fulfils EG Norm EN 13157	No	Yes	Yes
Fulfils the requirements of the CE directive	No	Yes	Yes
Fulfils the requirements of the Machinery Directive	No	Yes	Yes
Weight brake available	No	Yes	Yes
Quality/processing/robustness	Basic, e.g. private usage	Basic, e.g. private usage	Professional, e.g. usage in industry
Made in	Far East	Far East	Austria
Securing when lifting/pulling	Yes, catch locks in	Yes, weight brake, observe minimum load	Yes, weight brake, observe minimum load
Securing when lowering	No, no securing available	Yes, weight brake, observe minimum load	Yes, weight brake, observe minimum load
Automatic unwinder available for cable or band	Yes, optionally possible, see range	Yes, optionally possible, see range	Yes, optionally possible, see range
Crank quickly removable	Yes, optionally possible, see range	Yes, optionally possible, see range	Yes, optionally possible, see range
Rope drum with plain bearing	No	No	Yes
Suitable for continuous operation	No	No	No
Corrosion protection	approx. 200 hour salt spray test electro galvanized, yellow chromate	approx. 200 hour salt spray test electro galvanized, yellow chromate	approx. 400 hour salt spray test Zinc-nickel coating, Cr 6 free
Gear wheel cover	No	Yes, optionally possible, see range	Yes
Design	Classic	Classic	Modern
Cable for lifting and towing	Yes, not mounted as an accessory, available	Yes, not mounted as an accessory, available	Yes, variant with cable mounted can be ordered
Band for towing	Yes, variant with mounted band can be ordered	Yes, variant with mounted band can be ordered	Yes, variant with mounted band can be ordered
Wall mounting possible	No. Winch has no weight brake	Yes, however a console for wall mounting is necessary (accessory)	Yes, however a console for wall mounting is necessary (accessory)

APPLICATION EXAMPLES

Boat trailers, car transporters, agricultural sprayer equipment, slurry pumps, mobile inclined lifts, mobile installation stackers, mobile floodlights, hand operated forklifts,

private usage, e.g. pulling the trailer to the ceiling in the garage.

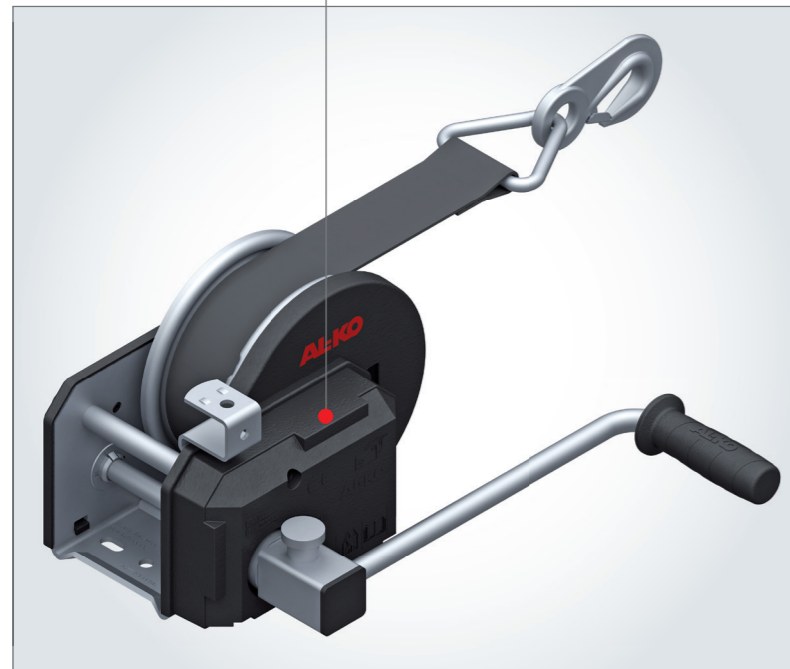


CABLE WINCH OPTIMA

WITH AUTOMATIC WEIGHT BRAKE

WEIGHT BRAKE

Automatic



BENEFITS TO YOU

- | Modern design
- | High quality corrosion protection
- | Automatic weight brake
- | Cable drum with plain bearing
- | Automatic unwinder for rope or band (optional)
- | Removable crank (optional)
- | Plastic gear cover
- | Range:
 - | 350 / 500 / 900 / 1150 kg

SURFACE TREATMENT

High quality zinc-nickel coating approx. 400 hour salt spray test



tested



tested

CABLE WINCH OPERATION

Lifting: Turn the hand crank in a clockwise direction

Stopping: Let go of the hand crank in the desired position (automatic weight brake)

Lowering: Turn the hand crank in a counter-clockwise direction

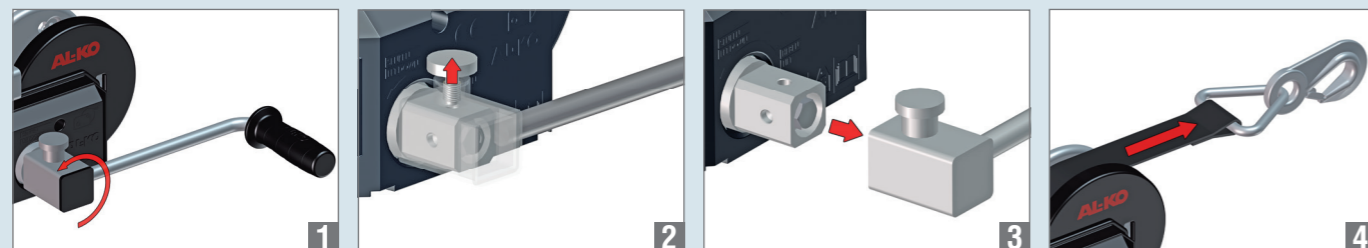
AUTOMATIC UNWINDER OPERATION

1 Turn hand crank in a clockwise direction for one rotation, this will cause the weight brake to be deactivated

2 Pull up locking sleeve



3 Remove crank

4 The band or cable can now be removed



CABLE WINCHES OPTIMA – 350 KG



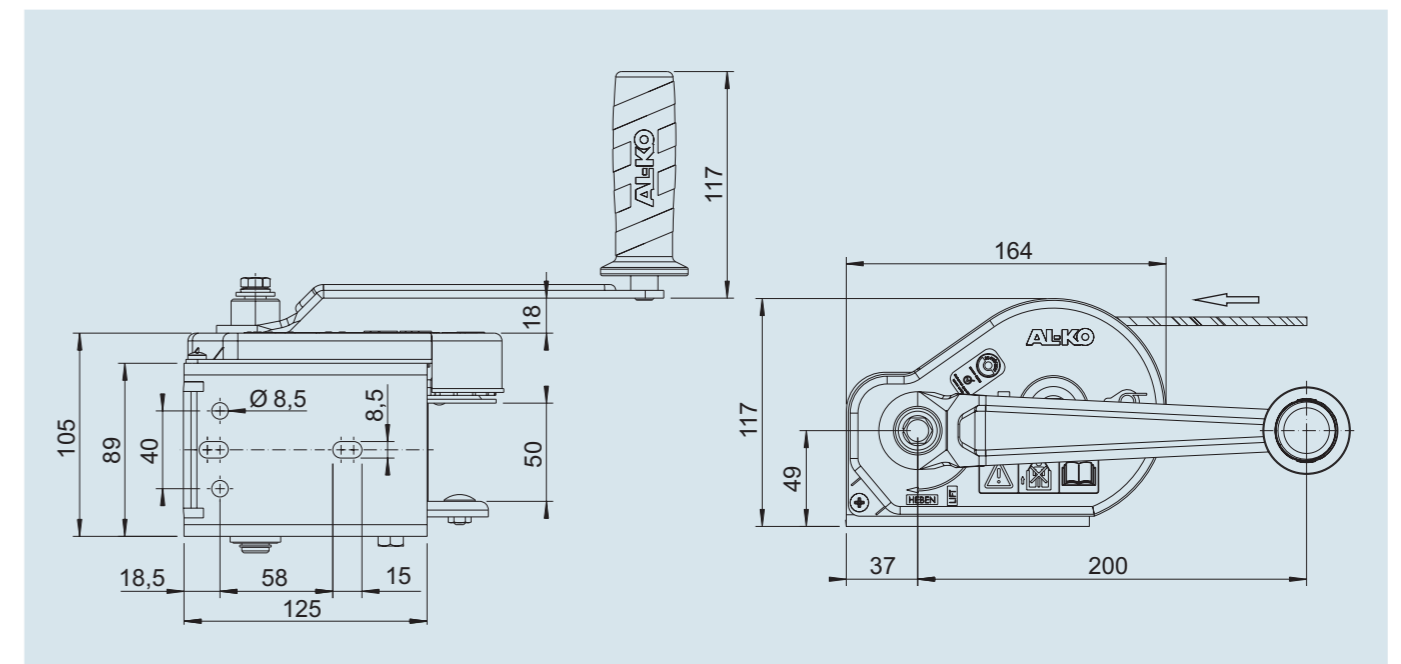
Cable winch braked OPTIMA – type 351	
Tensile load max. lowest cable position	350 kg
Manual force	200 N
Minimum load	25 kg
Reduction	2.50 : 1
Lift per crank revolution	from 53–100 mm
Drum capacity for 4 mm Ø cable	15 m
Drum capacity for towing band	4 m
 	- 120 units

Order no. without cable/band	1 225 998
Weight	2.0 kg

Order no. with 10 m cable for lifting mounted	1 225 999
Weight	3.0 kg



Order no. with 15 m cable for lifting mounted	1 730 001
Weight	3.5 kg

Order no. with 4 m band for towing mounted	1 730 002
Weight	2.5 kg



CABLE WINCHES OPTIMA – 500 KG



Cable winch braked OPTIMA – type 501	
Tensile load max. lowest cable position	500 kg
Manual force	200 N
Minimum load	25 kg
Reduction	3.75 : 1
Lift per crank revolution	from 45–100 mm
Drum capacity for 5 mm Ø cable	20 m
Drum capacity for towing band	7 m
 	- 64 units

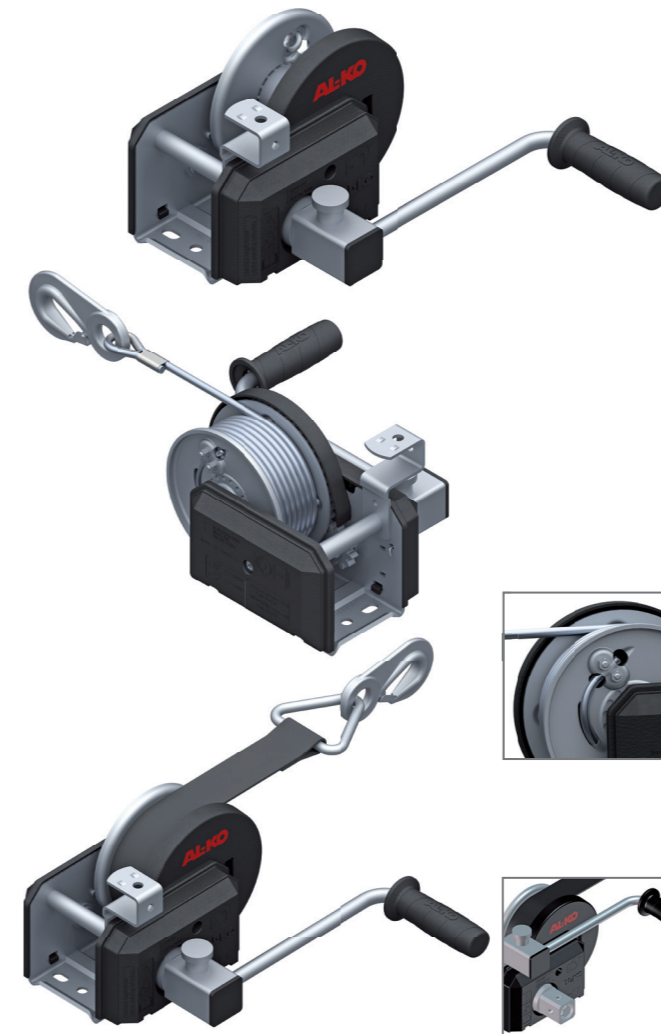
Order no. without cable/band	1 730 003
Weight	4.0 kg



Order no. with 10 m cable for lifting mounted	1 730 004
Weight	5.0 kg

Order no. with 20 m cable for lifting mounted	1 730 005
Weight	6.0 kg

Order no. with 7 m band for towing mounted	1 730 006
Weight	5.0 kg

CABLE WINCHES OPTIMA – 500 KG A



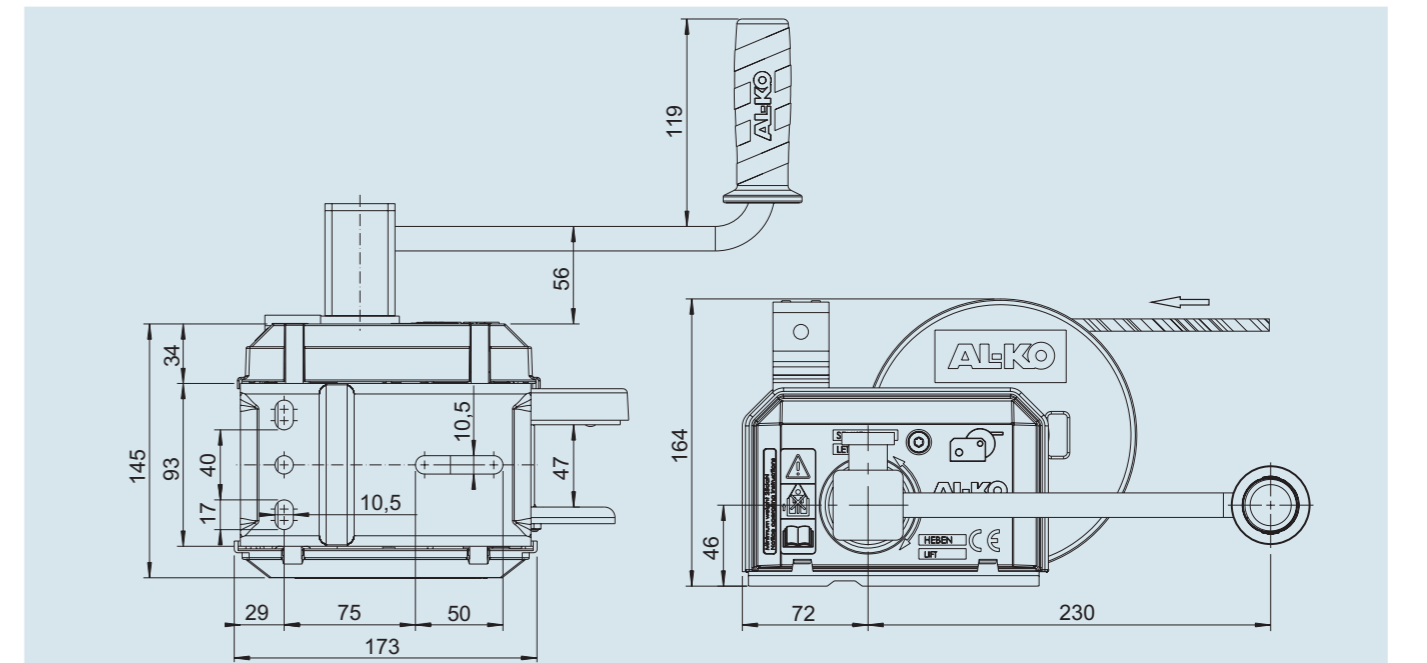
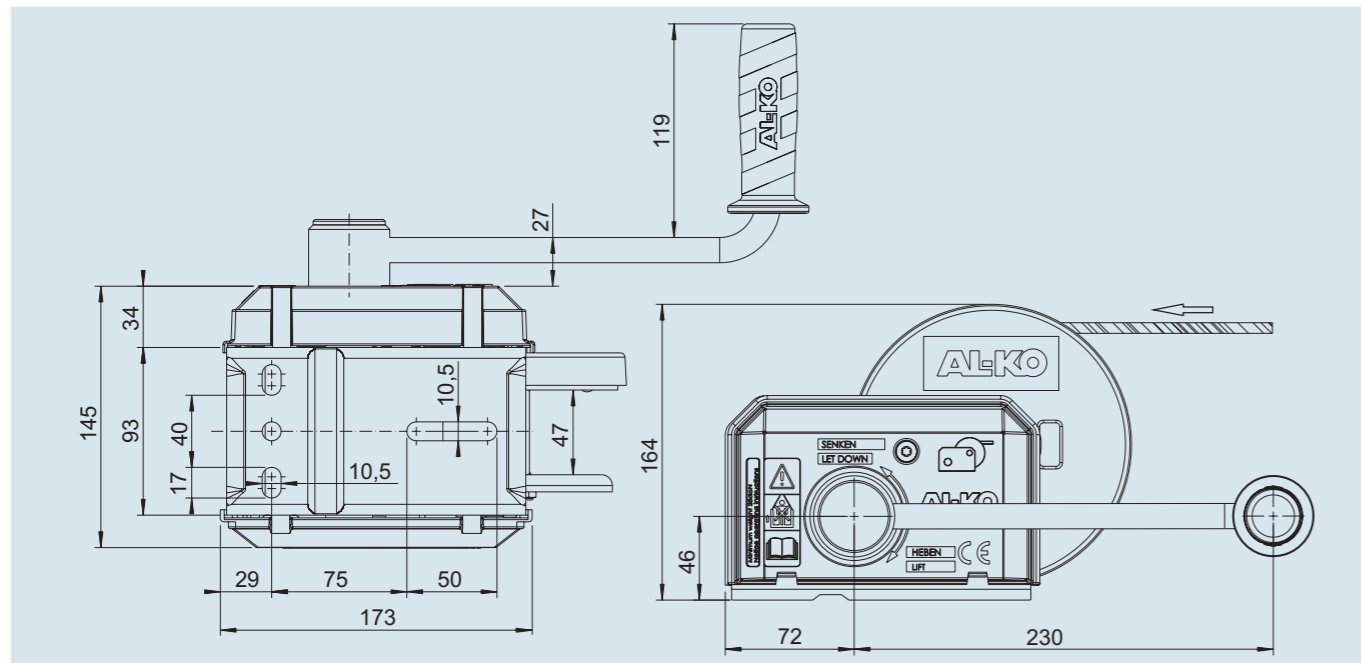
Cable winch braked OPTIMA – type 501 with automatic unwinder	
Tensile load max. lowest cable position	500 kg
Manual force	200 N
Minimum load	25 kg
Reduction	3.75 : 1
Lift per crank revolution	from 45–100 mm
Drum capacity for 7 mm Ø cable	20 m
Drum capacity for towing band	7 m
 	- 64 units

Order no. without cable/band	1 730 024
Weight	4.0 kg

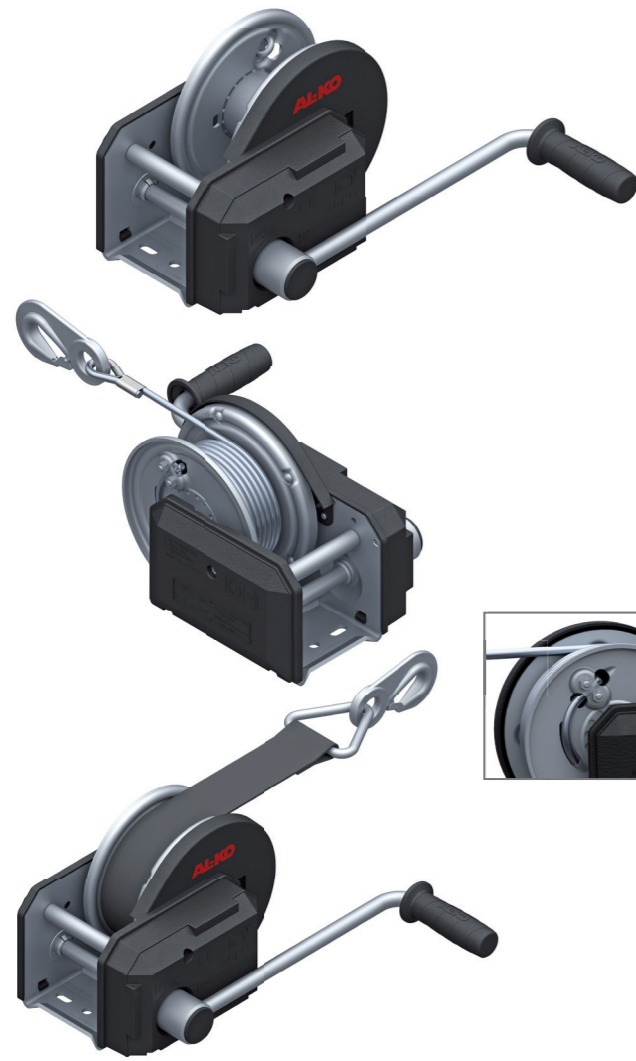
Order no. with 10 m cable for lifting mounted	1 730 007
Weight	5.0 kg

Order no. with 20 m cable for lifting mounted	1 730 008
Weight	6.0 kg

Order no. with 7 m band for towing mounted	1 730 009
Weight	5.0 kg



CABLE WINCHES OPTIMA – 900 KG



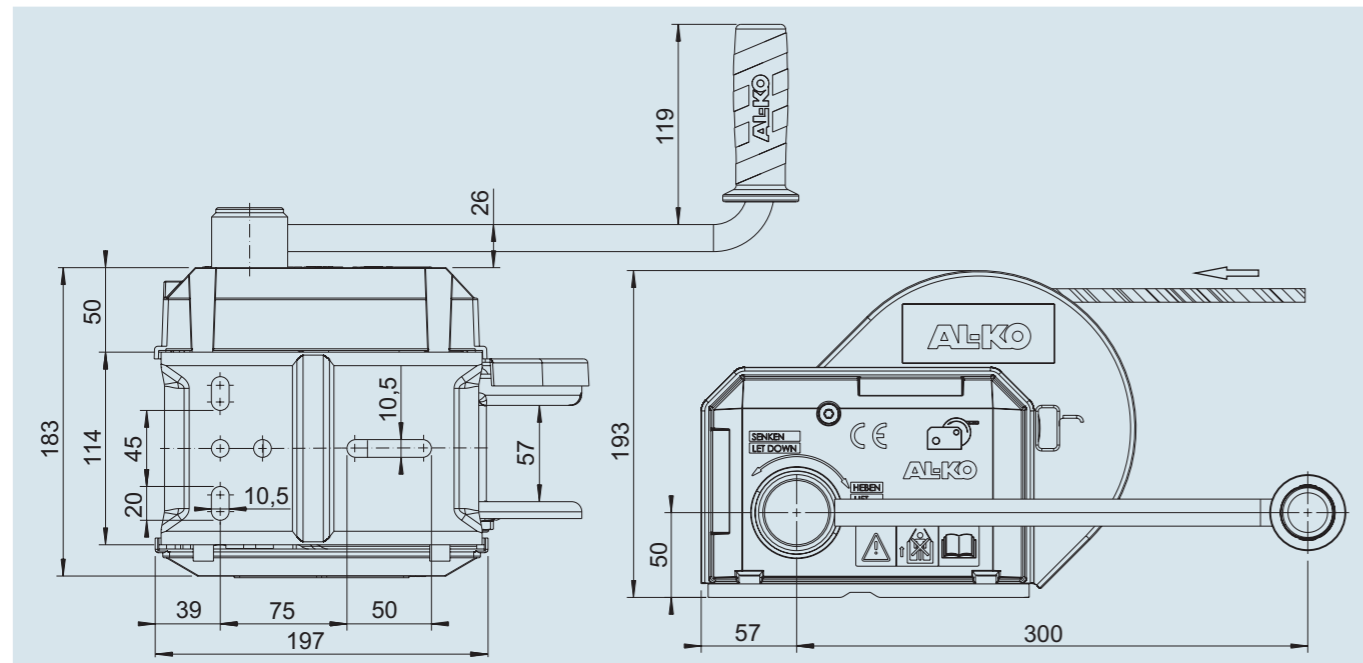
Cable winch braked OPTIMA – type 901	
Tensile load max. lowest cable position	900 kg
Manual force	190 N
Minimum load	25 kg
Reduction	8.75 : 1
Lift per crank revolution	from 25–55 mm
Drum capacity for 7 mm Ø cable	20 m
Drum capacity for towing band	10 m
	- 39 units

Order no. without cable/band	1 730 010
Weight	7.0 kg

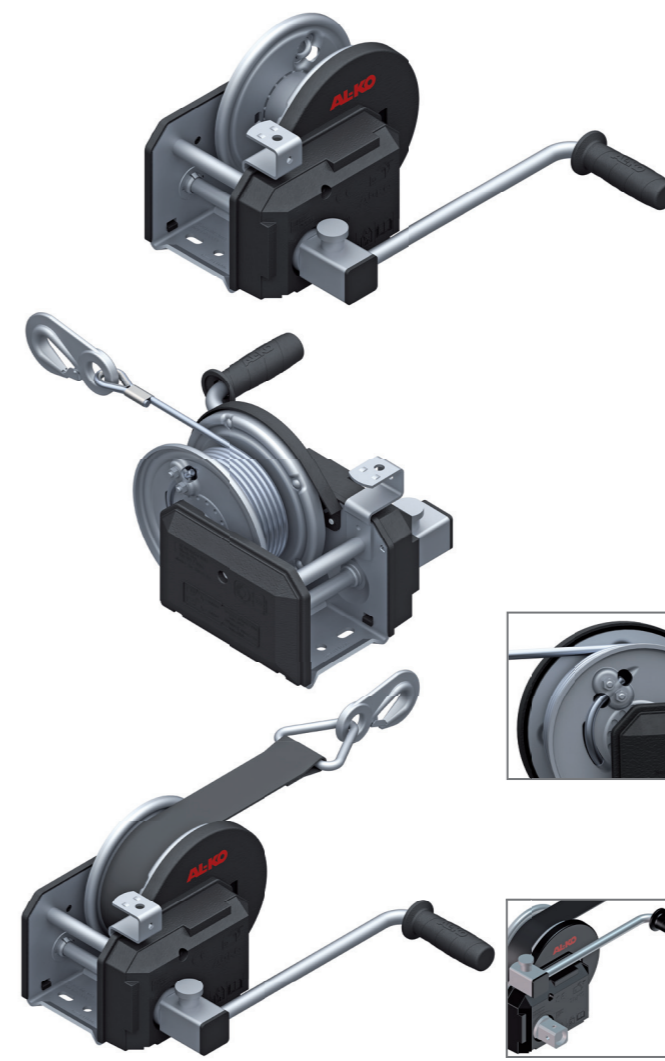
Order no. with 12.5 m cable for lifting mounted	1 730 011
Weight	8.5 kg

Order no. with 20 m cable for lifting mounted	1 730 012
Weight	9.0 kg

Order no. with 10 m band for towing mounted	1 730 013
Weight	8.0 kg



CABLE WINCHES OPTIMA – 900 KG A



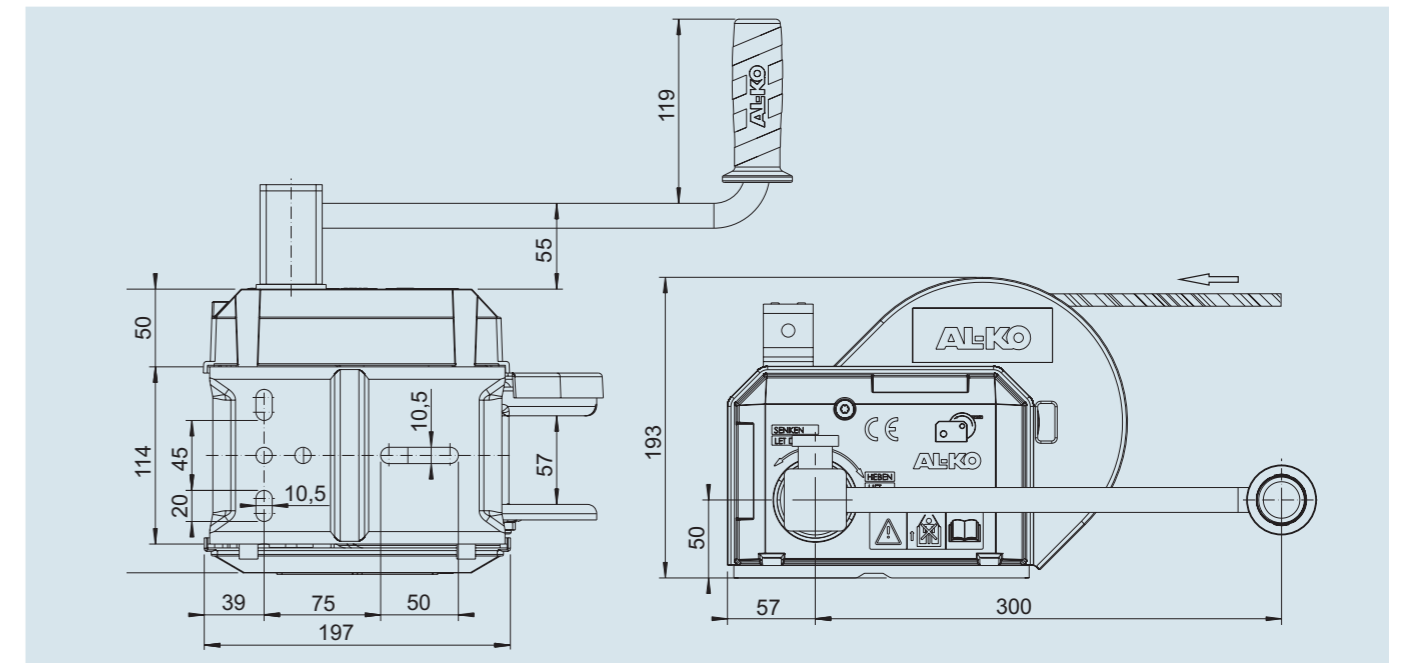
Cable winch braked OPTIMA – type 901 with automatic unwinder	
Tensile load max. lowest cable position	900 kg
Manual force	190 N
Minimum load	25 kg
Reduction	8.75 : 1
Lift per crank revolution	from 25–55 mm
Drum capacity for 7 mm Ø cable	20 m
Drum capacity for towing band	10 m
	- 39 units

Order no. without cable/band	1 730 014
Weight	8.0 kg

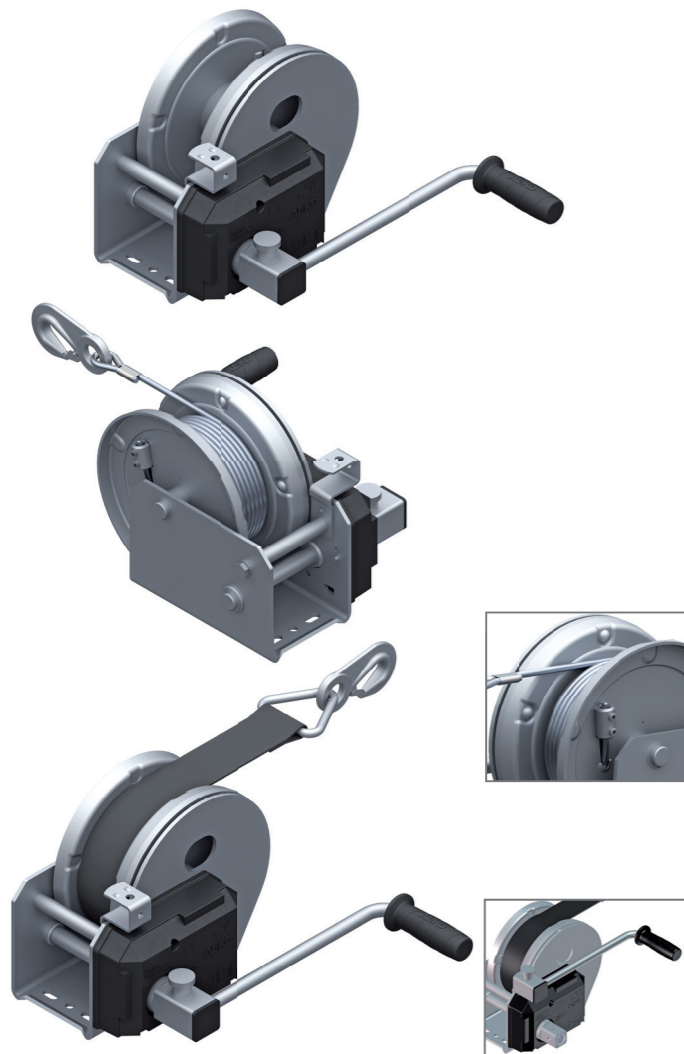
Order no. with 12.5 m cable for lifting mounted	1 730 015
Weight	9.5 kg



Order no. with 20 m cable for lifting mounted	1 730 016
Weight	10.0 kg

Order no. with 10 m band for towing mounted	1 730 017
Weight	9.0 kg

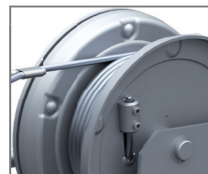


CABLE WINCHES OPTIMA – 1150 KG A

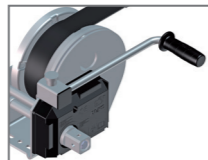


Cable winch braked OPTIMA – type 1201 with automatic unwinder	
Tensile load max. lowest cable position	1150 kg
Manual force	200 N
Minimum load	25 kg
Reduction	10.5 : 1
Lift per crank revolution	from 23–57 mm
Drum capacity for 7 mm Ø cable	25 m
Drum capacity for towing band	12.5 m
 	- 25 units

Order no. without cable/band	1 730 018
Weight	13 kg

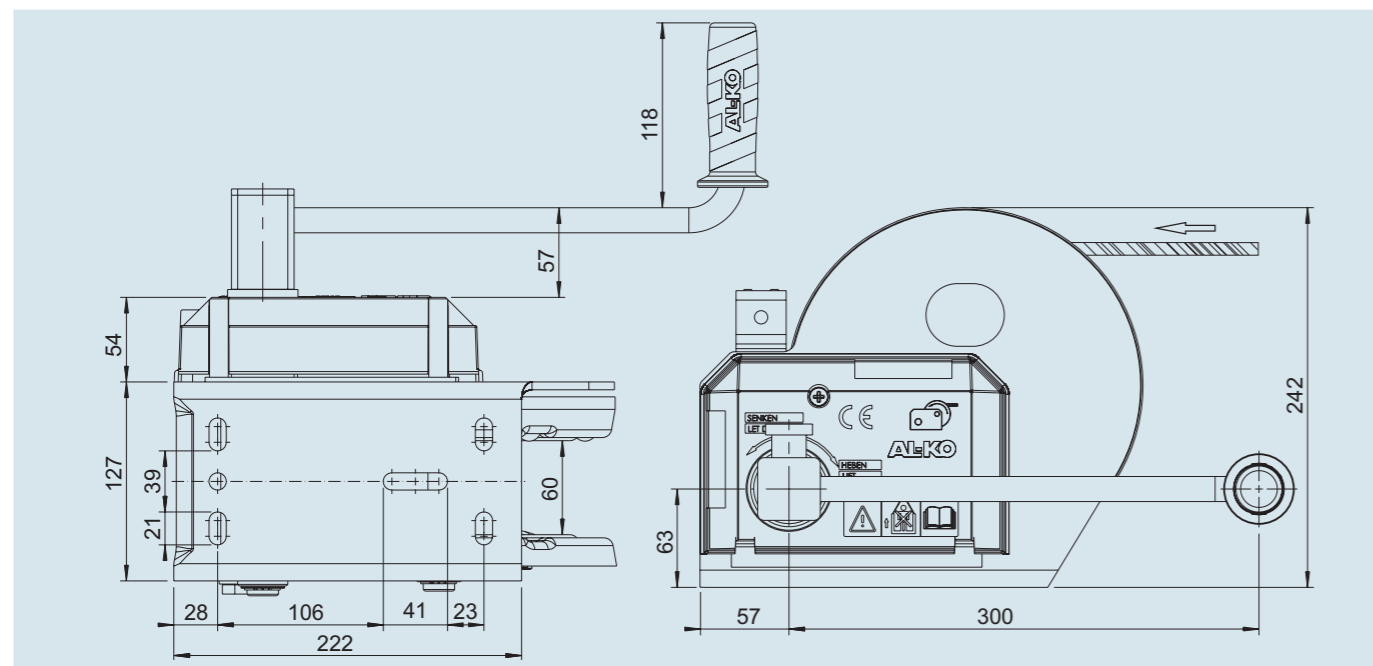


Order no. with 12.5 m cable for lifting mounted	1 730 019
Weight	15 kg



Order no. with 25 m cable for lifting mounted	1 730 020
Weight	17 kg

Order no. with 12.5 m band for towing mounted	1 730 021
Weight	14 kg

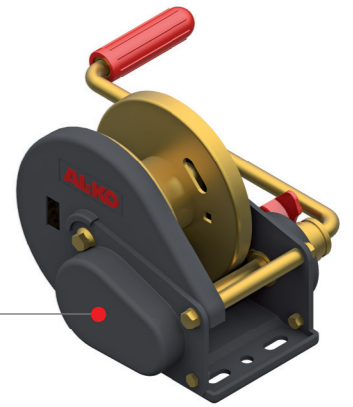


CABLE WINCHES BASIC

WITH AUTOMATIC WEIGHT BRAKE

BENEFITS TO YOU

- I Automatic weight brake
- I Automatic unwinder for rope or band (optional)
- I Removable crank (optional)
- I Plastic gear cover
- I Range:
 - I 450 and 900 kg
- I Surface treatment:
 - I Electro galvanized and also yellow chromate, approx. 200 hours salt spray test

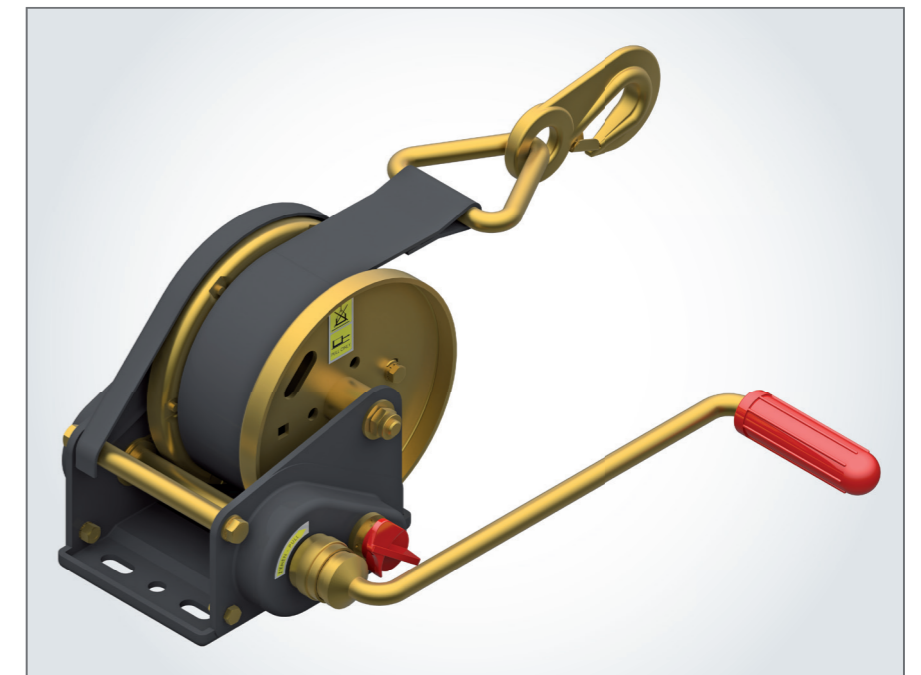


WEIGHT BRAKE

Automatic

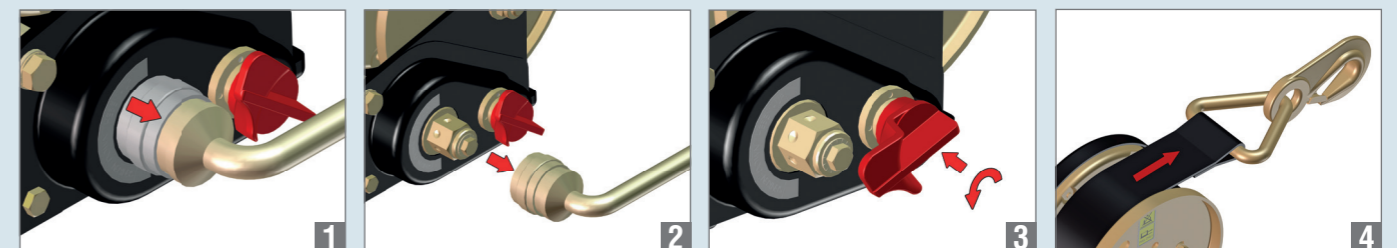
CABLE WINCH OPERATION

- Lifting: Turn the hand crank in a clockwise direction
- Holding: Let go of the hand crank in the desired position (automatic weight brake)
- Lowering: Turn the hand crank in a counter-clockwise direction



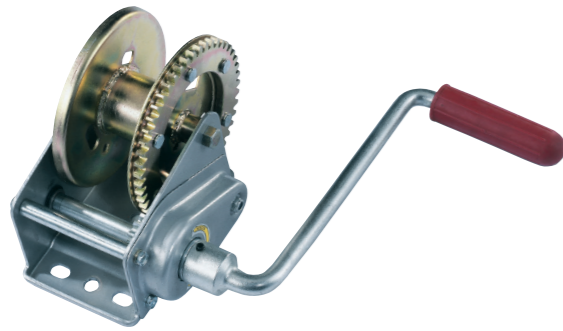
AUTOMATIC UNWINDER OPERATION

- 1 Pull up locking sleeve
- 2 Remove crank
- 3 Press red lever and turn (deactivate weight brake)
- 4 The cable or band can now be removed

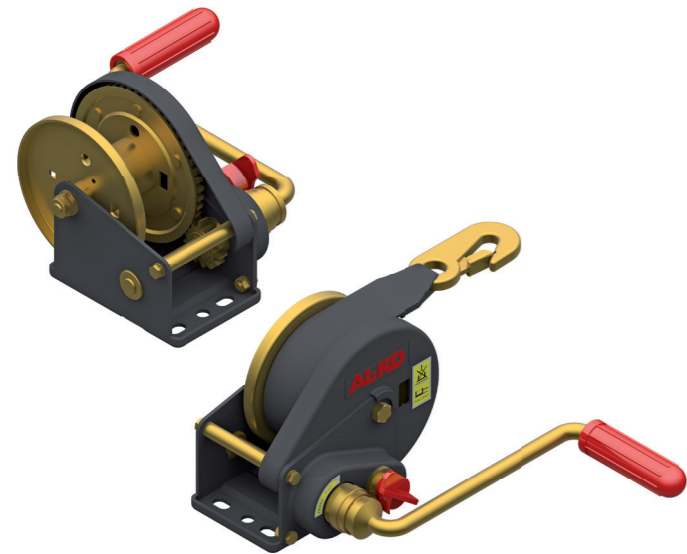


CABLE WINCHES BASIC – 450 KG

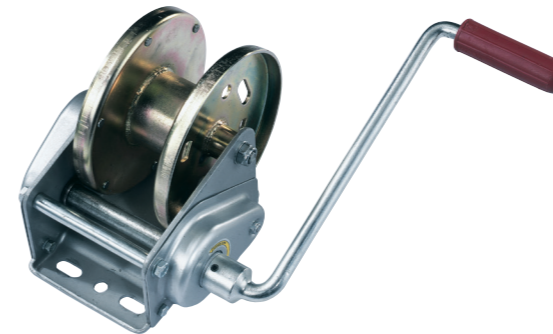
CABLE WINCHES BASIC – 900 KG



Cable winch BASIC – type 450 braked without automatic unwinder	
Order no.	1 210 653
Tensile load max. lowest cable position	450 kg
Manual force	200 N
Minimum load	25 kg
Reduction	3.50 : 1
Lift per crank revolution	from 45–100 mm
Drum capacity for 5 mm Ø cable	15 m
Drum capacity for towing band	6 m
Weight	4 kg
	- 100 units



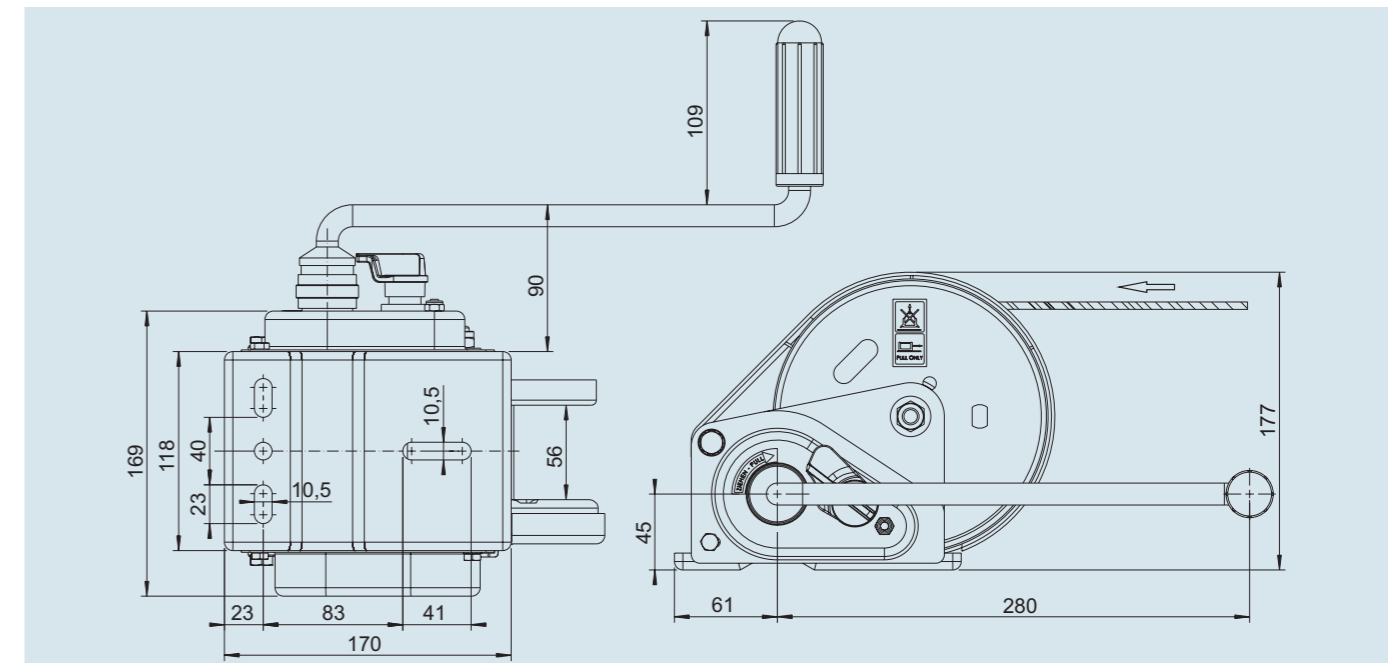
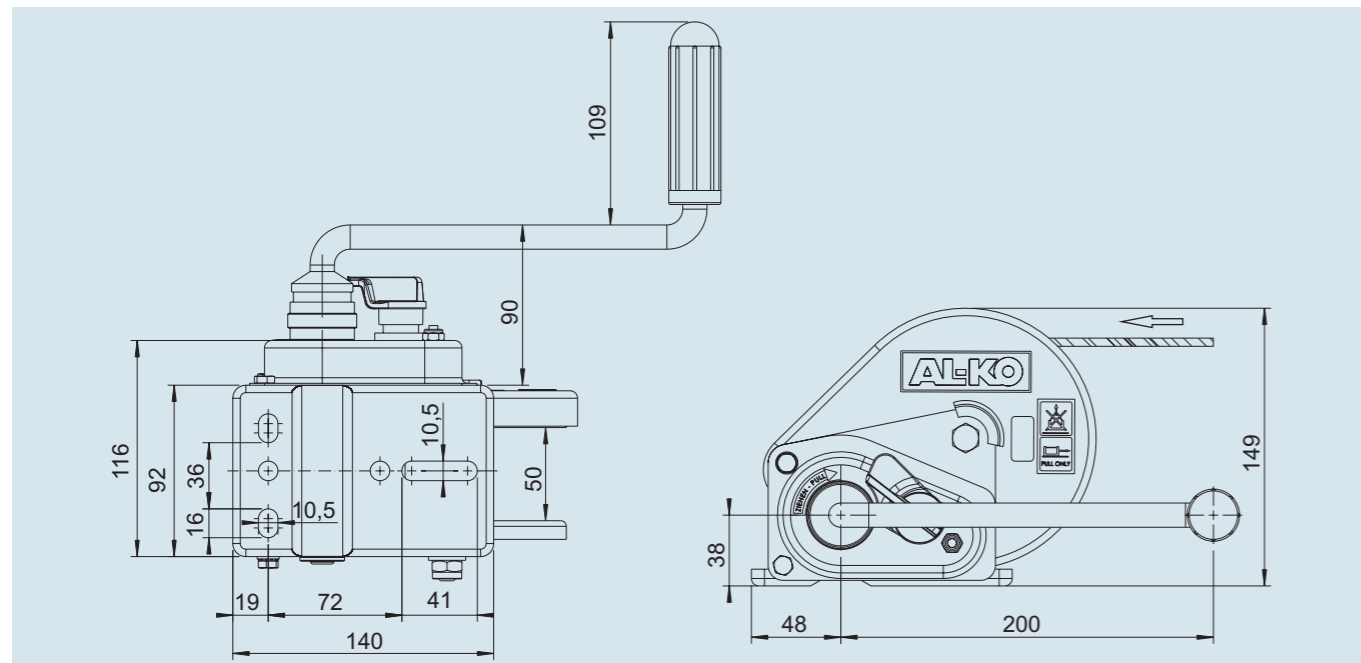
Cable winch BASIC – type 450 A braked with automatic unwinder	
Order no. without cable	1 225 298
Order no. with 6 m band for towing	1 225 300
Tensile load max. lowest cable position	450 kg
Manual force	200 N
Minimum load	25 kg
Reduction	3.50 : 1
Lift per crank revolution	from 45–100 mm
Drum capacity for 5 mm Ø cable	15 m
Drum capacity for towing band	6 m
Weight without cable	4 kg
Weight with 6 m band	5 kg
	- 100 units



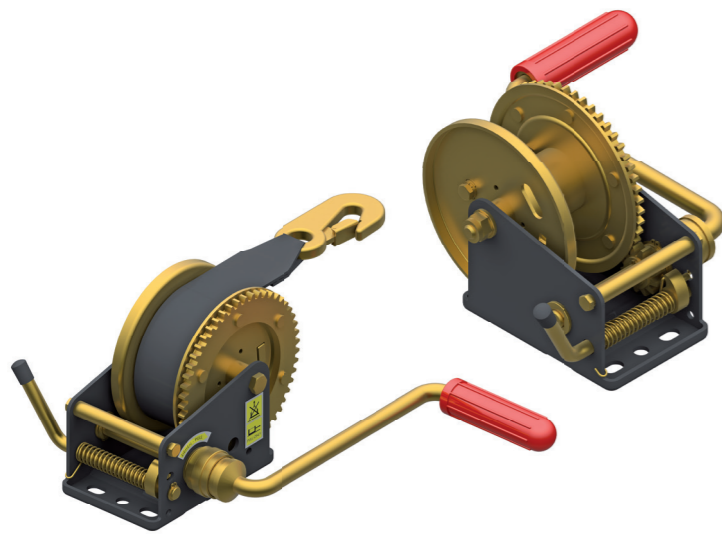
Cable winch BASIC – type 900 braked without automatic unwinder	
Order no.	1 210 654
Tensile load max. lowest cable position	900 kg
Manual force	190 N
Minimum load	25 kg
Reduction	8.75 : 1
Lift per crank revolution	from 25–53 mm
Drum capacity for 7 mm Ø cable	17 m
Drum capacity for towing band	7 m
Weight	7 kg
	- 48 units





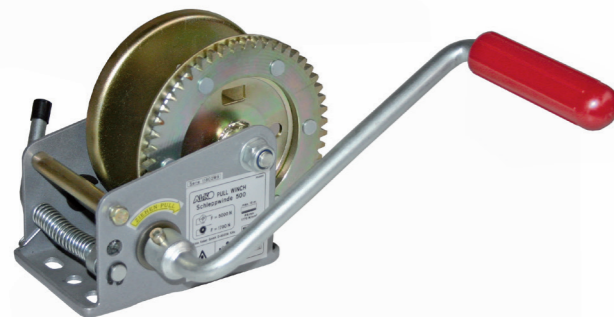
Cable winch BASIC – type 900 A braked with automatic unwinder	
Order no. without cable	1 225 301
Order no. with 7 m band for towing	1 225 303
Tensile load max. lowest cable position	900 kg
Manual force	190 N
Minimum load	25 kg
Reduction	8.75 : 1
Lift per crank revolution	from 25–53 mm
Drum capacity for 7 mm Ø cable	17 m
Drum capacity for towing band	7 m
Weight without cable	7 kg
Weight with 7 m band	8 kg
	- 48 units





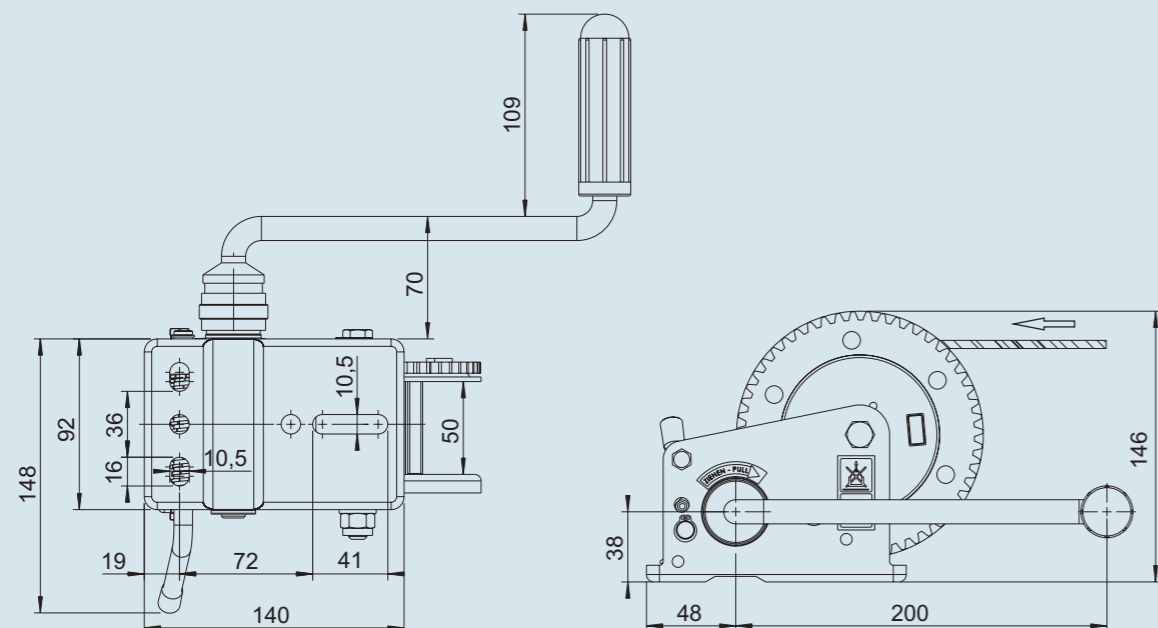
TOWING WINCHES BASIC – 500 KG



Towing winch BASIC – type 500, unbraked, removable crank	
Order no. without cable	1 225 543
Order no. with 7 m band for towing	1 225 547
Max. tensile load	500 kg
Manual force	200 N
Reduction	None
Lift per crank revolution	from 37–90 mm
Drum capacity for 5 mm Ø cable	15 m
Weight without cable	3 kg
Weight with 6 m band	4 kg
 	- 96 units





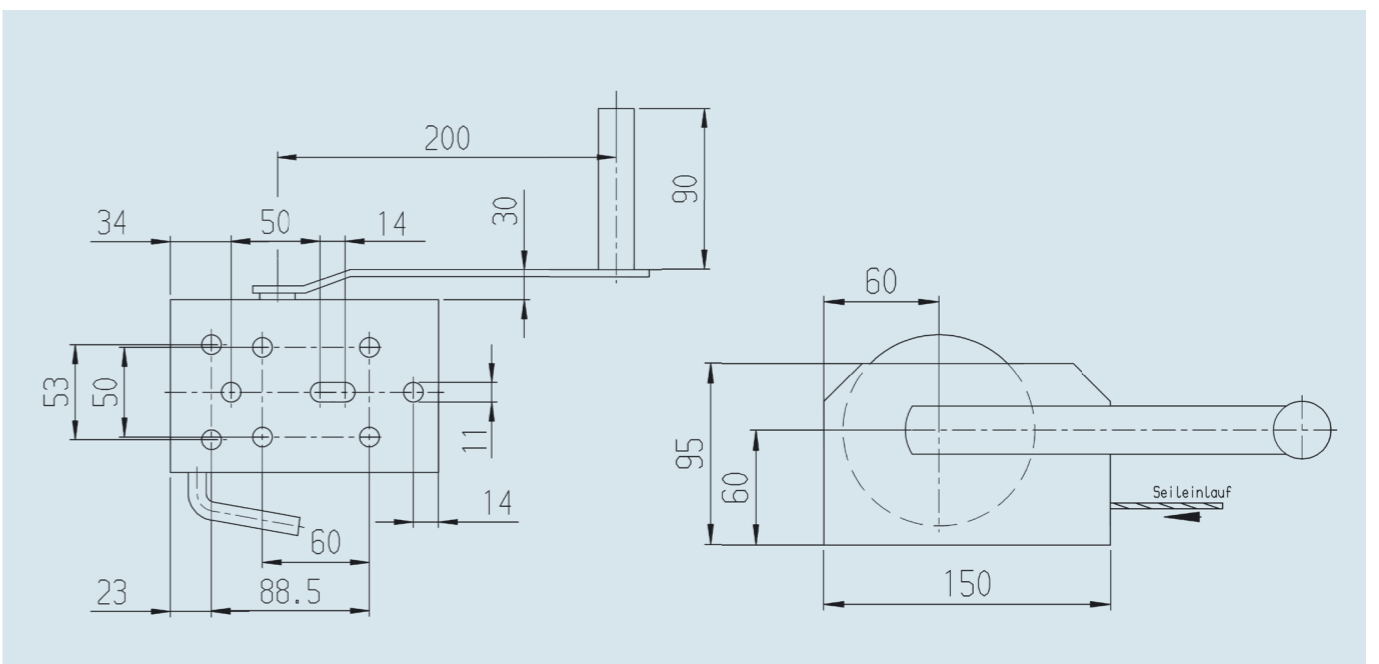
Towing winch BASIC – type 500	
Order no. without cable	1 213 856
Max. tensile load	see table
Manual force	200 N
Reduction	4.25 : 1
Lift per crank revolution	from 37–90 mm
Drum capacity for 5 mm Ø cable	15 m
Weight	4 kg
 	- 96 units



TOWING WINCH BASIC – 250 KG



Towing winch BASIC – type 250	
Order no. with 6 m cable	1 210 211
Max. tensile load	see table
Manual force	200 N
Reduction	None
Lift per crank revolution	from 120–150 mm
Drum capacity for 3,5 mm Ø cable	6 m
Weight	3 kg
 	- 72 units



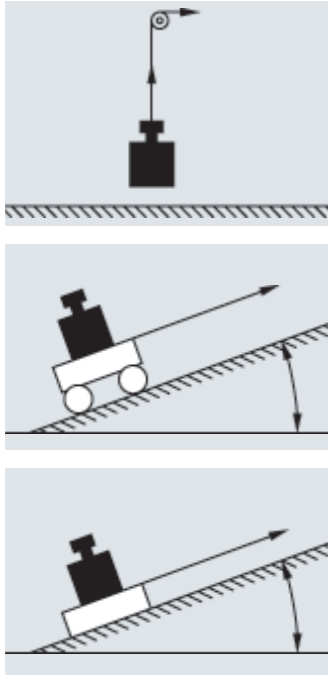
CABLE WINCHES – ACCESSORIES

Cables



Warning:

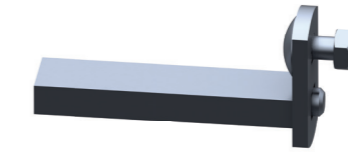
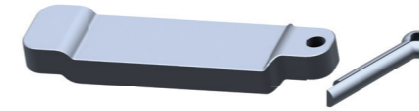
The cables are suitable for towing, lifting and holding of loads, however not for usage with a free hanging load which may twist when being lifted. For this application low-twist or twist-free cables should be used.



Order no.	For winch type	Tensile load (kg)	Cable Ø mm EN 12385-4	Cable length m	Weight kg	Hook surface
1 730 137	351 OPTIMA	350	4	15	1.0	EGS, CR 6 free
1 730 136	351 OPTIMA	350	4	10	1.0	EGS, CR 6 free
1 730 139	501 OPTIMA	500	5	20	1.8	EGS, CR 6 free
1 730 138	450/500 BASIC 501 OPTIMA	500	5	10	1.0	EGS, CR 6 free
1 730 141	901 OPTIMA	900	7	20	4.1	EGS, CR 6 free
1 730 140	901 OPTIMA 900 BASIC	900	7	12.5	2.1	EGS, CR 6 free
249 980	1201 OPTIMA	1150	7	25	4.3	EGS, CR 6 free

Plug-in for band fastening

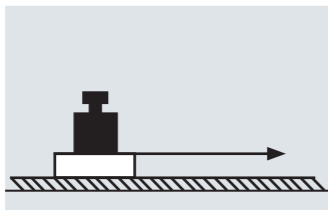
Order no.	For winch type
1 730 133	351 OPTIMA
1 730 134	501 OPTIMA
1 730 135	901 OPTIMA



Order no.	For winch type
352 657	1201 OPTIMA

Order no.	For winch type
352 514	450 BASIC
352 516	900 BASIC

Bands for towing



Warning:

The available bands are only constructed for the horizontal towing of loads. When lifting loads bands in accordance with DIN EN 1492-1 must be used.

Order no.	For winch type	Max. tensile load band daN kg*	Band width mm	Band length m	Weight kg	Hook surface
1 730 041	351 OPTIMA	350	40	4	0.5	EGS, CR 6 free
1 730 043	501 OPTIMA	500	40	7	0.9	EGS, CR 6 free
1 730 032	901 OPTIMA	900	50	10	1.2	EGS, CR 6 free
1 730 042	1201 OPTIMA	1150	55	12.5	1.5	EGS, CR 6 free
1 225 319	450 BASIC	450	40	6	0.9	EGS yellow chromate
1 225 768	501 OPTIMA 500 BASIC	500	40	7	1.0	EGS yellow chromate
1 225 631	901 OPTIMA 900 BASIC	900	50	7	1.2	EGS yellow chromate

* The tensile load corresponds with the tensile load of the winch in the lowest cable position. Band with safety factor min. 2.5

Weather protection

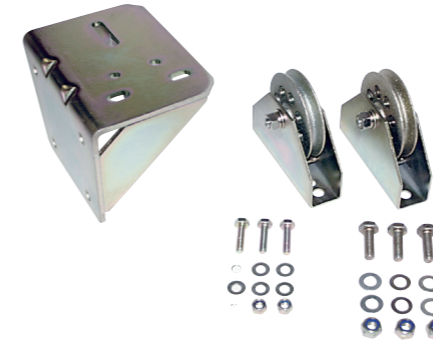
Benefits for you

- I Weather proof
- I Breathable
- I Color fast



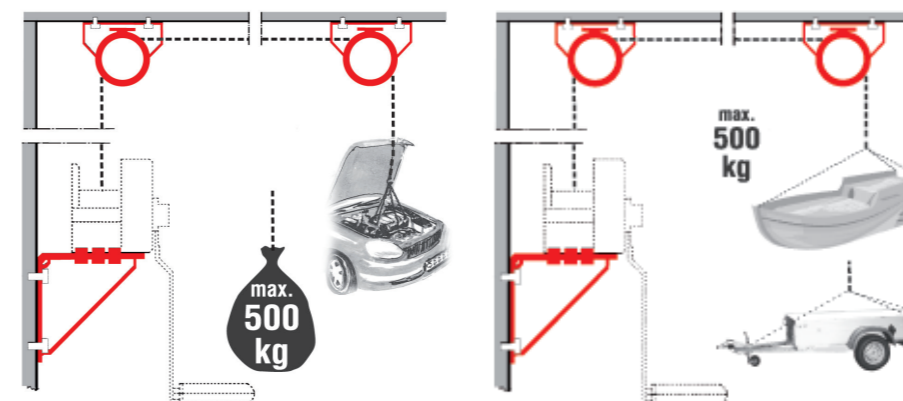
Weather protection: Suitable for AL-KO winches OPTIMA type 901 and 901 A	
Order no.	1 224 076
Suitable for winches	AL-KO OPTIMA type 901 and 901 A
Weight	0.3 kg

Garage wall holder




Garage wall holder: For AL-KO winches BASIC and OPTIMA up to max. 500 kg

Order no.	1 221 151
For AL-KO winches	BASIC and OPTIMA up to max. 500 kg
Weight	3.5 kg




CABLE WINCHES – TECHNICAL DATA




Vertical lifting of loads - (reference values)

Winch	Lowest cable position	Middle cable position	Highest cable position
Cable winch BASIC 450 KG	450 kg	300 kg	170 kg
Cable winch BASIC 900 KG	900 kg	600 kg	330 kg
Cable winch OPTIMA 350 KG	350 kg	250 kg	130 kg
Cable winch OPTIMA 500 KG	500 kg	330 kg	170 kg
Cable winch OPTIMA 900 KG	900 kg	600 kg	330 kg
Cable winch OPTIMA 900 KG automatic unwinder	900 kg	600 kg	330 kg
Cable winch OPTIMA 1150 KG automatic unwinder	1250 kg	830 kg	500 kg



Horizontal and oblique pulling of a (non-rolling) load (reference values) friction factor approx. 0.5

Winch	Gradient	Lowest cable position	Middle cable position	Highest cable position
Towing winch BASIC 250 kg	up to 10% (6°)	400 kg	350 kg	300 kg
Towing winch BASIC 500 kg	up to 10% (6°)	800 kg	550 kg	300 kg
Cable winch BASIC 450 kg	10% (6°)	750 kg	500 kg	300 kg
	20% (11°)	650 kg	450 kg	250 kg
	30% (17°)	550 kg	400 kg	200 kg
Cable winch BASIC 900 KG	10% (6°)	1500 kg	1100 kg	600 kg
	20% (11°)	1300 kg	900 kg	500 kg
	30% (17°)	1150 kg	800 kg	400 kg
Cable winch OPTIMA 350 kg	10% (6°)	600 kg	400 kg	250 kg
	20% (11°)	500 kg	350 kg	200 kg
	30% (17°)	450 kg	300 kg	150 kg
Cable winch OPTIMA 500 kg	10% (6°)	800 kg	550 kg	300 kg
	20% (11°)	700 kg	500 kg	250 kg
	30% (17°)	650 kg	450 kg	220 kg
Cable winch OPTIMA 900 kg	10% (6°)	1500 kg	1100 kg	600 kg
	20% (11°)	1300 kg	900 kg	500 kg
	30% (17°)	1150 kg	800 kg	400 kg
Cable winch OPTIMA 900 kg automatic unwinder	10% (6°)	1500 kg	1100 kg	600 kg
	20% (11°)	1300 kg	900 kg	500 kg
	30% (17°)	1150 kg	800 kg	400 kg
Cable winch OPTIMA 1150 kg automatic unwinder	10% (6°)	2000 kg	1450 kg	900 kg
	20% (11°)	1700 kg	1250 kg	750 kg
	30% (17°)	1500 kg	1150 kg	650 kg



Oblique pulling of a rolling load - (reference values)

Winch	Gradient	Lowest cable position	Middle cable position	Highest cable position
Cable winch BASIC 450 kg	10% (6°)	2900 kg	2000 kg	1100 kg
	20% (11°)	1800 kg	1200 kg	700 kg
	30% (17°)	1350 kg	900 kg	500 kg
Cable winch BASIC 900 KG	10% (6°)	5800 kg	3900 kg	2100 kg
	20% (11°)	3600 kg	2400 kg	1300 kg
	30% (17°)	2700 kg	1800 kg	1000 kg
Cable winch OPTIMA 350 kg	10% (6°)	2300 kg	1600 kg	800 kg
	20% (11°)	1400 kg	1200 kg	500 kg
	30% (17°)	1100 kg	800 kg	400 kg
Cable winch OPTIMA 500 kg	10% (6°)	3300 kg	2200 kg	1100 kg
	20% (11°)	2000 kg	1300 kg	700 kg
	30% (17°)	1500 kg	1000 kg	500 kg
Cable winch OPTIMA 900 kg	10% (6°)	5800 kg	3900 kg	2100 kg
	20% (11°)	3600 kg	2400 kg	1300 kg
	30% (17°)	2700 kg	1800 kg	1000 kg
Cable winch OPTIMA 900 kg automatic unwinder	10% (6°)	5800 kg	3900 kg	2100 kg
	20% (11°)	3600 kg	2400 kg	1300 kg
	30% (17°)	2700 kg	1800 kg	1000 kg
Cable winch OPTIMA 1150 kg automatic unwinder	10% (6°)	7400 kg	5300 kg	3200 kg
	20% (11°)	6400 kg	3300 kg	2000 kg
	30% (17°)	3500 kg	2500 kg	1500 kg

SAFETY

The buyer of the cable winch must check whether the product has the properties that their individual usage requires.

1. Weight Brake:

Depending on the type cable winches with weight brake must be operated with the minimum weight listed in the delivery overview. If this minimum load is not listed then the braking function does not come into force.

2. Purposes of a braked cable winch:

The braked cable winches fulfil the requirements of the new EG Norm EN 13157 valid from 01.09.2004. Our winches cannot be used in the following fields of application: Construction lifts, stages, studios and liftable suspended access equipment.

Mechanical drive prohibited. Not approved for continuous operation. Not approved as lashing provision.

(Weight brake can release itself due to alternating movement).

The AL-KO cable winches can be used for various applications. The regulations that need to be observed in these fields of application must be checked for each usage by the responsible manufacturer or user. I.e. the buyer of the cable winch must check whether the product has the properties that their individual usage requires. There are differing useful lives depending on the load (low, middle, max. load). To increase the useful life (service life in hours) it is advantageous to use the cable winches only for medium loads. Perhaps the next higher winch type should be selected.

It is strictly prohibited to stand beneath overhead loads. At least two winds of the rope must stay on the drum when carrying a load.

3. Cables:

The available cables are constructed according to EN 13157 and EN 12385-4. Our cables are suitable for towing, lifting and holding of loads, however not for usage with a free hanging load which may twist when being lifted. For this application low-twist or twist-free cables should be used.

4. Bands:

The available bands are only constructed for the horizontal towing of loads. When lifting loads bands in accordance with DIN EN 1492-1 must be used.

ALOIS KOBER GMBH

Ichenhauser Straße 14
89359 Kötz
Germany
Tel. +49 8221 97-0
fahrzeugtechnik@al-ko.de
www.al-ko.com

AL-KO KOBER GmbH

Zellbergeben 38
6277 Zellberg
Austria
Tel. +43 5282 2651 700
vertrieb.fzt@al-ko.at
www.al-ko.com



Visit AL-KO at
facebook.com/alko.fahrzeugtechnik